

# Gardening tools

Gardening need to require the tools for home use. For the convenience and not to hire a gardener, we need some Gardening Tools for using e.g. Automatic Watering Timer for plants, Sprinkler Field, Pruning Shears that can help to for gardening.



# Sprinkler Field and Tools

Sprinkler Field has a beautiful of shape and watering. Suitable for garden decoration or can be used as a fountain.

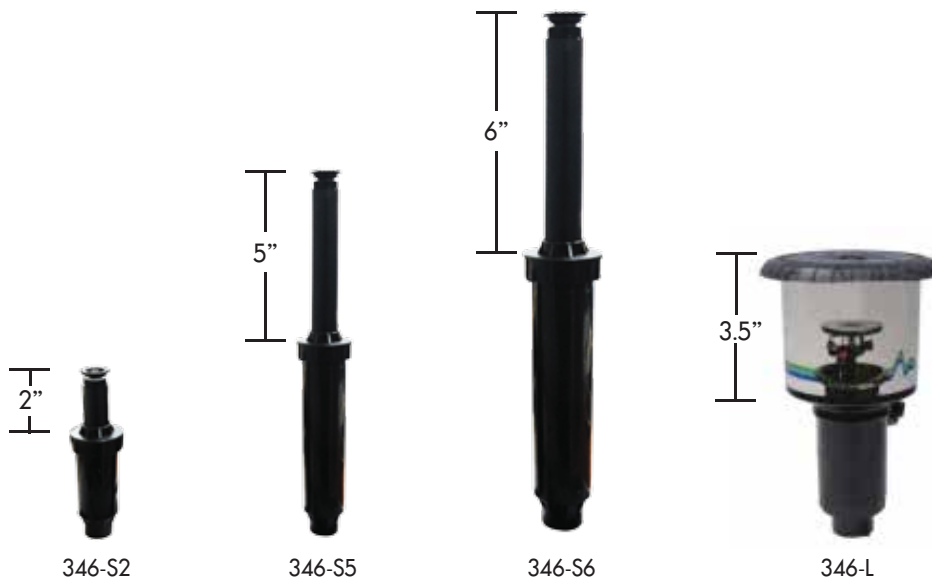


- Adjustable the degree of water distribution 25-360 degrees.



- Filter of Sprinkler Field help to reduce the sediment clogged in head of sprinkler.

Female Thread Connector 1/2"



## SPRINKLER POP UP

Code Number	Height Size		Flow rate (lite/min)				radius (meters)				Pack Size (bag)
	(inch)	(inch)	1.5	2.0	3.0	3.5	1.5	2.0	3.0	3.5	
346-S2 (Small Injection Mold)	2"	1/2"	10	12	14	16	1.75	2.0	2.1	2.25	1
346-S5 (Small Injection Mold)	5"	1/2"	10	12	14	16	1.75	2.0	2.1	2.25	1
346-S6 (Small Injection Mold)	6"	1/2"	10	12	14	16	1.75	2.0	2.1	2.25	1
346-L (Big Injection Mold)	3.5"	3/4"	11	14.5	16.5	17	10.5	11.0	12.0	12.5	1



345-2



345-4



345-2F



345-2P



345-2FF

### Sprinkler 2 Arms

Code Number	Description	Size (inch)	Pack Size (box)
345-2	Sprinkler 2 Arms Male Thread	1/2"	100
345-4	Sprinkler 2 Arms + Female Thread	3/4", 1/2"	100
345-2F	Sprinkler 2 Arms + Spike	1/2", 5/8", 3/4"	1
345-2P	Sprinkler 2 Arms Yard	1/2", 5/8", 3/4"	30
345-2FF	Sprinkler 2 Arms + Spike 30 cm.	1/2", 5/8", 3/4"	30



345-3



345-5



345-3F



345-3P

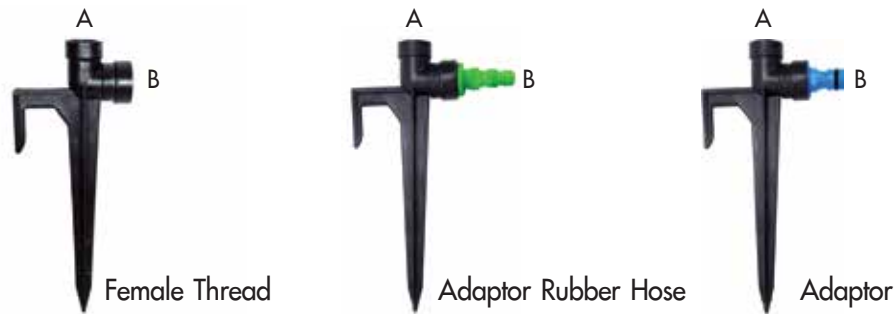


345-3FF

### Sprinkler 3 Arms

Code Number	Description	Size (inch)	Pack Size (box)
345-3	Sprinkler 3 Arms Male Thread	1/2"	100
345-5	Sprinkler 3 Arms + Female Thread	3/4", 1/2"	100
345-3F	Sprinkler 3 Arms + Spike	1/2", 5/8", 3/4"	1
345-3P	Sprinkler 3 Arms Yard	1/2", 5/8", 3/4"	30
345-3FF	Sprinkler 2 Arms + Spike 30 cm	1/2", 5/8", 3/4"	30





## Spike with Female Thread

Code Number	Size Female Thread A (inch)	Size with Connector B	Package (sack)
344-01	1/2"	female thread 1/2"	100
344-02	3/4"	female thread 1/2"	100
344-03	3/4"	female thread 3/4"	100
344-02+1	1/2"	adaptor rubber hose 1/2",3/4",5/8"	100
344-03+1	3/4"	adaptor rubber hose 1/2",3/4",5/8"	100
344-02+2	1/2"	adaptor	100
344-03+2	3/4"	adaptor	100



## Spike with Male Thread

Code Number	Size Male Thread A (inch)	Size with Connector B (inch)	Package (sack)
344-04	Male Thread 3/4" and Female Thread 1/2"	Female Thread 3/4"	100
344-50+1	Male Thread 1/2"	Adaptor Rubber Hose 1/2",3/4",5/8"	100
344-04+1	Male Thread 3/4" and Female Thread 1/2"	Adaptor Rubber Hose 1/2",3/4",5/8"	100
344-50+2	Male Thread 1/2"	Adaptor	100
344-04+2	Male Thread 3/4" and Female Thread 1/2"	Adaptor	100



344-H



344-L

### Spike with Pipe Wear

Code Number	Pipe Wear (inch)	Description	Pack Size (sack)
344-H	1/2"	Adaptor Rubber Hose 1/2", 3/4", 5/8"	250
344-L	1/2"	Adaptor	250

### Sprinkler Tube With Male Thread



Code Number	Size (bundle)	Long (cm.)	Pack Size (bunch)
308	1/2"	30	20

### Yard (Use with Sprinkler's Spike)



Code Number	Pack Size (box)
3300	50

### Set Valve Adaptor



Code Number	Size (inch)	Pack Size (bag)
390	3/4"	1
391	1"	1

### Hanger



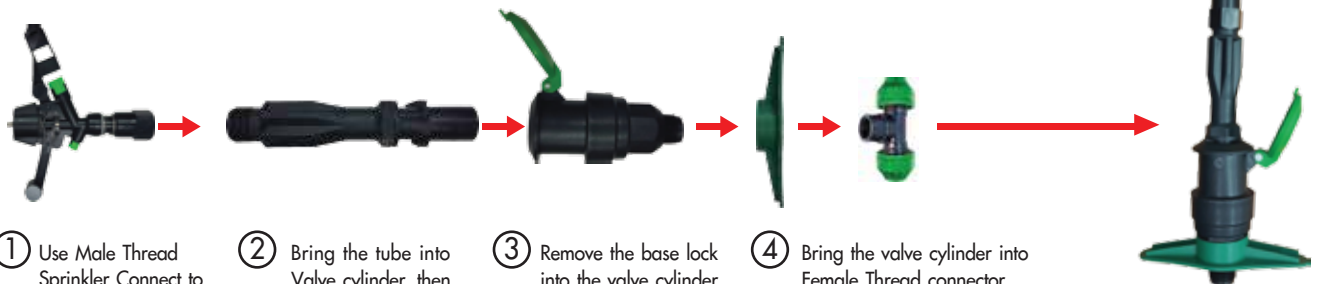
Code Number	Pack Size (bag)
282	1



## TIPS

## How to use the Valve Adaptor Set

Use Valve Adaptor Set as the valve instead. The water is shut off immediately after removing the stem of valve. For easily to move, sprinkler head is used with stem of Valve Adaptor Set.



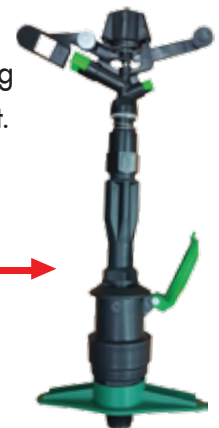
① Use Male Thread Sprinkler Connect to Stem of Valve Adaptor Set

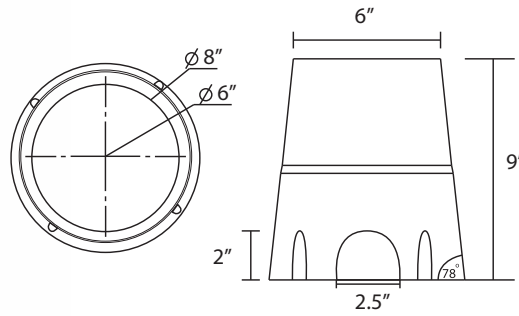
② Bring the tube into Valve cylinder. then rotate by cock wise.

③ Remove the base lock into the valve cylinder

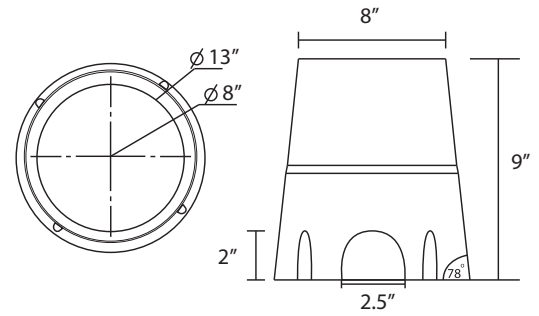
④ Bring the valve cylinder into Female Thread connector

sample





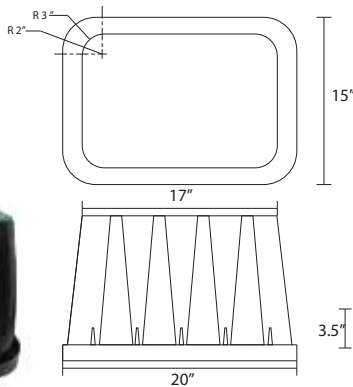
3TB006



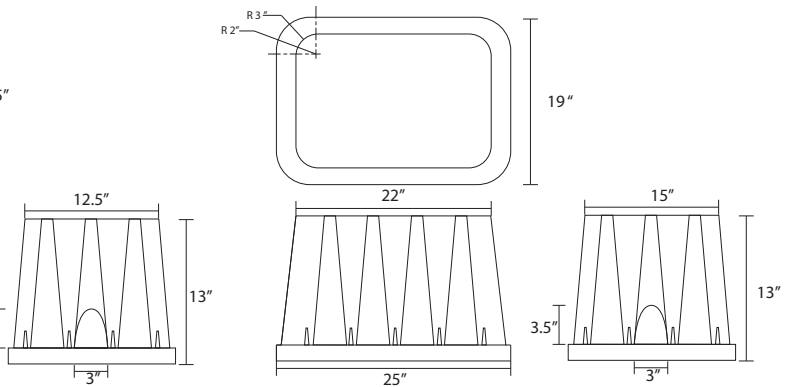
3TB008

Box Valve with Circle Shape

Code Number	Size (inch)	Pack Size (box)
3TB006	6"	1
3TB008	8"	1



3TB020



3TB025

Box Valve with Square Shape

Code Number	Size (inch)	Pack Size (box)
3TB020	15"x20"x13"	1
3TB025	19"x25"x13"	1



TIPS

## How to use the Valve Box

Valve Box made of high quality of plastic, Grade A, strong and durable with round and square shape. Can be used to suit the size and number of valves. The top cover can be opened for inspection or repair the valve installed underground easily.

# Bibcock and Adaptor



52-201PFB  
52-202PFB



52-201PFH  
52-202PFH

## PVC Fancy Bibcock

Code Number	Color	Size (inch)	Pack Size (box)
52-201PFB	Bibcock Fancy Body Color	1/2"	12
52-202PFB	Bibcock Fancy Body Color	3/4"	12
52-201PFH	Bibcock Fancy Handle Color	1/2"	12
52-202PFH	Bibcock Fancy Handle Color	3/4"	12



52-201PW  
52-202PW



52-201PC  
52-202PC

## Bibcock PVC

Code Number	Color	Size (inch)	Pack Size (box)
52-201PW	Blue	1/2"	12
52-202PW	Blue	3/4"	12
52-201PC	Clear	1/2"	12
52-202PC	Clear	3/4"	12





## Bibcock PVC RED HAND

Code Number	Category	Size (inch)	Pack Size (box)
5-TP-15	PVC Bibcock Ball Valve	1/2"	12
52-101	Bibcock Ball Valve Slim	1/2"	20
52-102	Bibcock Ball Valve Slim	3/4"	12
52-201	Bibcock Ball Valve	1/2"	12
52-202	Bibcock Ball Valve	3/4"	12
52-201S	Bibcock Ball Valve	1/2"	12
52-202S	Garden Bibcock	3/4"	12







510

511

512



510-L



510-LR

### Adaptor Hose

Code Number	Size (inch)	Pack Size (bag)
510	1/2", 5/8", 3/4"	1
511	1/2", 5/8", 3/4"	30
512	1/2", 5/8", 3/4"	10

### Quick Coupling Lock For Garden Hose

Code Number	Pack Size (panel)
510-L	1
510-LR (With Tongue for Water Closing)	1



510-A

510-B

510-D

510-I

510-E

510-H

510-F

510-G

510-K

510-J

### Tap Connector Hose Connector

Code Number	Description	Pack Size (box)
510-A	Male Thread 3/4" Connector Hose 1/2", 5/8", 3/4"	10
510-B	Male Thread 3/4" V1/2", 5/8", 3/4" + Jointly	10
510-D	Female Thread 3/4" Connector PE 16,20,25 mm.	5
510-I	Female Thread (Spiral) 3/4" Connector PE 16,20,25 mm.	10
510-E	Garden Bibcock Connector PE 16,20,25 mm.	5
510-H	Male Thread 3/4" Adaptor	10
510-F	Female Thread (Spiral) 3/4" Adaptor	10
510-G	Round Tap Adaptor	5
510-K	Garden Bibcock 3/4" Connect Micro Tube 5/7 mm.	10
510-J	Garden Bibcock 3/4" Connect Micro Tube 5/7 mm.	5



# Pruning Shears



Pruning Shears “RED HAND” with handles easy to use, strong and durable of blade and legs lock any models.



8-303-A



8-301



8-322



8-319

## Pruning Shears Cut PE and PVC

Code Number	Blade	Size (mm.)	inch	Pack Size (box)
8-303-A	Pruning Shears	32	1”	1
8-301	Pruning Shears	42	1 1/4”	1
8-322	Pruning Shears	42	1 1/4”	1
8-319	Pruning Shears	63	2”	1



8-807-A



8-807-D

## Pruning Shear - Stainless Steel Blade

Code Number	Blade	Pack Size (box)
8-807-A	Curved	1
8-807-D	Straight	1

# Automation System

The advantages of Automation System are easy to install, easy to move, no need to have knowledge of electrical system can be installation. Should be installed in the shade, it will help to extend the lifetime.

Female Thread 3/4"



630

640

Female Thread 3/4"



640-S

630-2

## Automatic watering timer

Code Number	Generation	Installation Method	Pack Size (box)
630	Analog	Set time to water 1-120 minutes 1 hour to 1 week.	1
640	Digital	Can set time to water at 12 programs and Set time to water 1 minute to 8 hours	1
640-S	Digital + Solar cell	Can set time to water at 12 programs and Set time to water 1 minute to 8 hours	1
630-2	Analog 2 Station	Set time to water 1-120 minutes 1 hour to 1 week.	1



## TIPS

## How to install TIMER

If used with the water supply system before the TIMER, need to turn on the water and wash the pipe or adhesive from the pipe. use TIMER with Bibcock Field Male Thread 3/4 "

If used with the water from the pond, need to install a Strainer (Fine Filter) before the machine. It helps to reduce the blockage. After installed, should turn the front cover closed for prevent the leakage of water into machine.



Free Connector  
510-D and 510-F



## Timer 4/6/8 Station



Code Number	special feature	Pack Size (box)
600-4	4 Stations	1
600-6	6 Stations	1
600-8	8 Stations	1

- Can be used with Solenoid Valves. Rain Gauge Sensor and Soil Humidity Meter Gauge
- Program Automation is easy to use 4-8 programs.
- Use two AAA Batteries internally
- AC 24 V Power Supply

## Rain Gauge Sensor



Code Number	Pack Size (box)
600-R	1

- Rain Gauge Sensor is to command the control box not to watering on a rainy day in excess of the set amount of water volume
- Can be adjust the rainfall levels 3,6,12,19,25 mm.
- 5 m. of cable length
- No batteries required
- Compatible with the control boxes in model of 600-4, 600-6, 600-8

## Soil Humidity Meter Gauge



Code Number	Pack Size (box)
600-M	1

- Soil Humidity Meter Gauge is to command the control box not to watering, if the soil moisture is high
- Can be adjust the soil humidity levels to 25%, 45%, 65%
- 5 m. of cable length
- Use two AAA Batteries internally
- Compatible with the control boxes in model of 600-4, 600-6, 600-8

## Solenoid Valve



Code Number	Size (inch)	Voltage (V)	Pack Size (box)
666-1	Female Thread 3/4"	AC 24	10
666-2	Female Thread 1"	AC 24	10

# Series Product

Series Products are selected products as appropriate usage, easy to install, ready to use, all products are packed in beautiful outer box with assembly manual in completely.



## Series Products is consists of :-



## Eazy Grow Series

1. 3/4 "Threaded Studs - 12mm Micro Tube 1 pc.
2. Rubber Thread with a Strap 1 pc.
3. Micro Tube 12mm 50 m. 1 roll.
4. Micro Tube 7mm 20 m. 1 roll.
5. Pipe Tape 1 pc.
6. T Coupling 12x7x12 mm 12 pcs.
7. T Coupling 12x12x12 mm. 1 pc.
8. Mini Sprinkler D with Valve 12 pcs.
9. 12mm Micro Tube End Clamp 2 pcs.
10. Spike 12 pcs.

## Eazy Grow Timer Series

1. 3/4 "Threaded Studs - 12mm Micro Tube 1 pc.
2. Rubber Thread With a Strap 1 ps.
3. Micro Tube 12mm 50 m. 1 roll.
4. Micro Tube 7mm 20m. 1 roll.
5. Pipe Tape 1 pc.
6. T Coupling 12x7x12 mm 12 pcs.
7. T Coupling 12x12x12 mm. 1 pc.
8. Mini Sprinkler D with Valve 12 pcs.
9. 12mm Micro Tube End Clamp 2 pcs.
10. Spike 12 pcs.
11. Timer 1 pc.

## Series Spike for Mini Sprinkler

Code Number	Description
9012-L	Eazy Grow
9012-LT	Eazy Grow+Timer



Series Products is consists of :-



Eazy Grow Series

1. 3/4 "Threaded Studs - 12mm Micro Tube 1pc
2. Rubber Thread with a Strap 1 pc.
3. Micro Tube 12mm 50 m. 1 roll.
4. Micro Tube 7mm 20 m. 1 roll.
5. Pipe Tape 1 pc.
6. T Coupling 12x7x12 mm 12 pcs.
7. T Coupling 12x12x12 mm. 1 pc.
8. Single Side Spray Nozzles, 3-5 mm Upside Down 12 pcs.
9. Nozzles Spray Nozzles one side up to 3-5 mm. 12 pcs.
10. Buttery Nozzle Spray 3-5 mm. 12 pcs.
11. 12mm Micro Cable End 2 pcs.
12. Spike 12 pcs.

Eazy Grow Timer Series

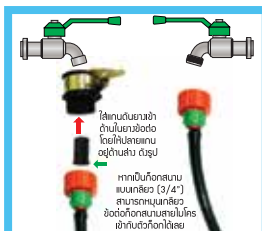
1. 3/4 "Threaded Studs - 12mm Micro Tube 1pc
2. Rubber Thread with a Strap 1 pc.
3. Micro Tube 12mm 50 m. 1 roll.
4. Micro Tube 7mm 20 m. 1 roll
5. Pipe Tape 1 pc.
6. T Coupling 12x7x12 mm 12 pcs.
7. T Coupling 12x12x12 mm. 1 pc.
8. Single Side Spray Nozzles, 3-5 mm Upside Down 12 pcs.
9. Nozzles Spray Nozzles one side up to 3-5 mm. 12 pcs.
10. Buttery Nozzle Spray 3-5 mm. 12 pcs.
11. 12mm Micro Cable End 2 pcs.
12. Spike 12 pcs.
13. Timer 1 pc.



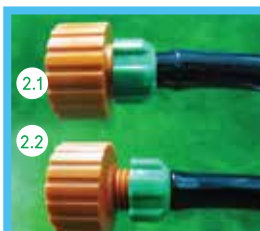
Series Spike for Sprayer

Code Number	Description
9013-L	Eazy Grow
9013-LT	Eazy Grow+Timer

How to installation



1. Connect the faucet to the eld faucet connector and connect its into the Micro Tube as shown on picture



2. Turn the spiral inwards until the end and insert the 12mm. Micro Tube into the connector inwards until the end Turn the spiral around and tighten the cover up micro tube to prevent the water leakage



3. Connect Mini Sprinkler with Connecor and insert with 7 mm. Micro Tube into Rainbird Leg



4. Connect 7 mm. Micro Tube to the Connecor and compatible with Tee Connector Micro Tube 12x7x12 mm.



5. Close the end of the water system with the stopper (No.9), check the end of the tube to the stopper and tighten by turning spiral.

**ไขว้น้ำหยดและข้อต่อระบบน้ำหยด**  
Drip arrow and drip connector 1 ชุด  
1 Set including with. ประกอบด้วย

**ไขว้น้ำหยดแบบตรง**  
Code:371-3  
Straight drip  
Micro tube Size : 3/5 mm.  
Pressure: 1.0-1.5 bar  
Flowrate : 1-2 Liter/hr.

**ไขว้น้ำหยดแบบโค้ง**  
Code:371-3  
Curve drip arrow  
Micro tube Size : 3/5 mm.  
Pressure: 1.0-1.5 bar  
Flowrate : 1-2 Liter/hr.

**ข้อต่อ 3 ทาง Mini sprinkler connector**  
Code:394-S  
Size : 5x3 มม.

**ข้อต่อ 4 ทาง 4-way micro connector**  
Code:395-4S  
Size : 5x3 มม.

**ข้อต่อ 3 ทาง 3-way micro connector**  
Code:395-3  
Size : 5x7 มม.

**ข้อต่อหัวแบบ Universal tap adaptor**  
Pressure: 5/7 มม.

**สายไมโคร Micro tube**  
Size : 3/5 มม.

**สายไมโคร Micro tube**  
Size : 5/7 มม.

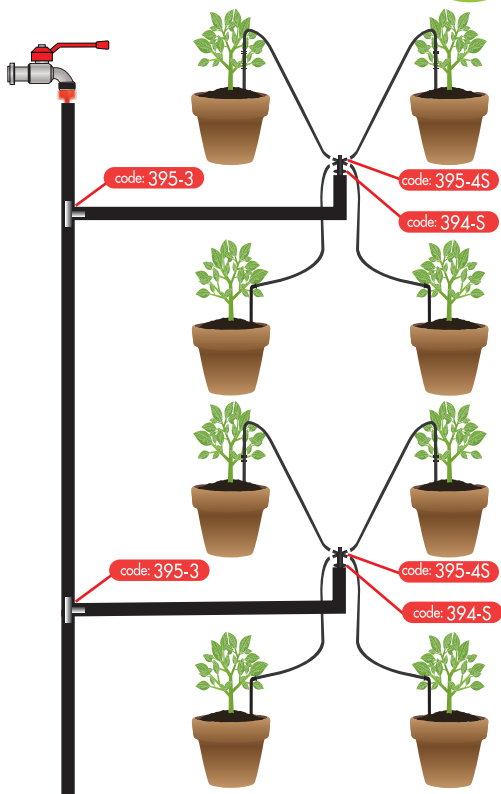
**ชุดไขว้น้ำหยด**  
เลือกคุณภาพ เลือก “ไขว้”

**Drip Arrow set** Straight/Curve  
ไขว้น้ำหยดแบบตรง/โค้ง

Micro tube Size : 3/5 mm.  
Pressure: 1.0-1.5 bar  
Flowrate : 1-2 Liter/hr.

Best quality for agriculture and a irrigation products.

**How to installation**



**Series Products is consists of :-**



**Dripper Spike Series**

Code Number	Description
9016-2	Curve Drip
9016-3	Straight Drip and Curve Drip Arrow
9016-3S	Straight Drip and Curve Drip Arrow (Small set)

**9016-2**

1. Straight Connector Mini Sprinkler 15 Pcs.
2. 4 Ways Connector PE 5 Pcs.
3. Tee Connector PE 10 Pcs.
4. Micro Tube Connector 10 Pcs.
5. Micro Tube 3/5 100 m.
6. Arrow Drip Elbow Spike 50 Pcs.

**9016-3**

1. Straight Connector Mini Sprinkler 30 Pcs.
2. 4 Ways Connector PE 10 Pcs.
3. Tee Connector PE 20 Pcs.
4. Micro Tube Connector 20 Pcs.
5. Micro Tube 3/5 100 m.
6. Arrow Drip Elbow Spike 50 Pcs.
7. Arrow Drip Straight Spike 50 Pcs.

**9016-3S**

1. Straight Connector Mini Sprinkler 5 Pcs.
2. 4 Ways Connector PE 5 Pcs.
3. Tee Connector PE 4 Pcs.
- 4.1.Round Tap Adaptor PE 1 Pc.
5. Micro Tube 3/5 10 m.
- 5.1.Micro Tube 5/7 15 m.
6. Arrow Drip Elbow Spike 10 Pcs.
7. Arrow Drip Straight Spike 10 Pcs.





### 9015-S1

- 1. Fogger 8 pcs.
- 2. T Coupling 7 psc.
- 3. Micro Tube Connector 1 pc.
- 4. Round Tap Adaptor PE 1 Pc.
- 5. Micro Tube 5/7 mm. 15 m.
- 6. Cable Tie 15 lines

### 9015-S4

- 1.1. 4-way Fogger 4 psc.
- 2. T Coupling 3 psc.
- 3. Micro Tube Connector 1 pc.
- 4. Round Tap Adaptor PE 1 Pc.
- 5. Micro Tube 5/7 mm. 10 m.
- 6. Cable Tie 10 lines



### Series Fogger

Code Number	Description
9015-S1	1-Way Fog Head
9015-S4	4-Way Fog Head

### How to installation



1. Connect the Fasten Connector with the Bibcock and connect the Micro Tube.



2. Connect the T Coupling to the Micro Tube.



3. Connect the Fogger with T Coupling and measure the distance to put the Fogger.



4. Open the end of the pipe with connected and connected to the Fogger.





Sample of Packaging



Sample of Irrigation



300-C1L



313-CL



345-2CL



345-3CL

Sprinkler Field 3 Leg

Code Number	Sprinkler	Pack Size (box)
300-C1L	Sprinkler 2 layers	1
313-CL	Sprinkler NAN	1
345-2CL	Sprinkler Field 2 Arms	1
345-3CL	Sprinkler Field 3 Arms	1

 TIPS

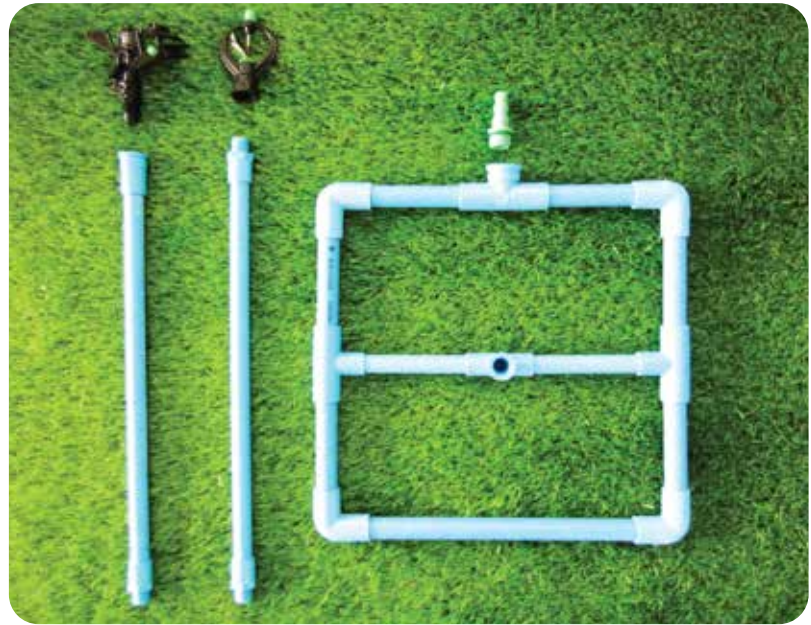
## Series Product

Series Product is consists of accessories with providing its accessories for easy installation. If the customer needs more accessories, can be also purchasing by separately.





Sample of Packaging



### Field Sprinkler Installation Set - PVC Pipe

1. Can be adjustable height into 3 levels : 20 Cms., 30 Cms. and 50 Cms.
2. Sprinkler Head is divided into 2 Types :-
  - 2.1 Sprinkler NAN can be water shoot 9-15 meters and can be adjustable the direction of water injection.
  - 2.2 Stainless Sprinkler is 3-5 meters of water radius.

### Series Product is consists of :-

1. PVC Stand (Completed Assembly)
2. PVC Pipe Male Thread (Short) - Male Thread Height 30 Cms.
3. PVC Pipe Male Thread (Short) - Female Thread Height 20 Cms.
4. Sprinkler CHAIYO NAN (adjustable Radius)
5. Stainless Sprinkler (Turn around)
6. Pipe Tape
7. Hose Coupling in size 3/8", 1/2", 3/4"

### Sprinkler Field - PVC Pipe

Code Number	High (cm.)	Pack Size (bag)
9001	20-50	1